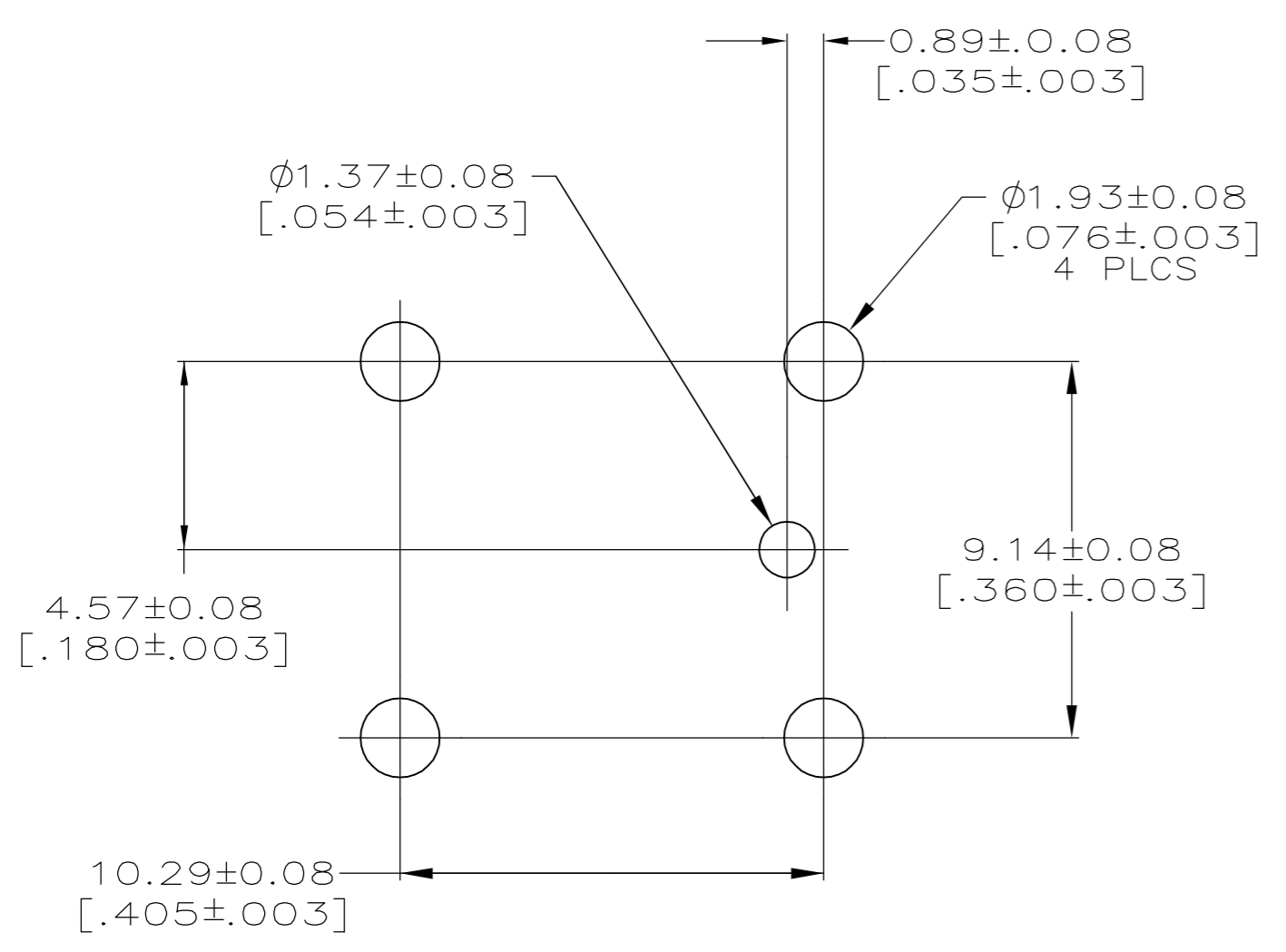
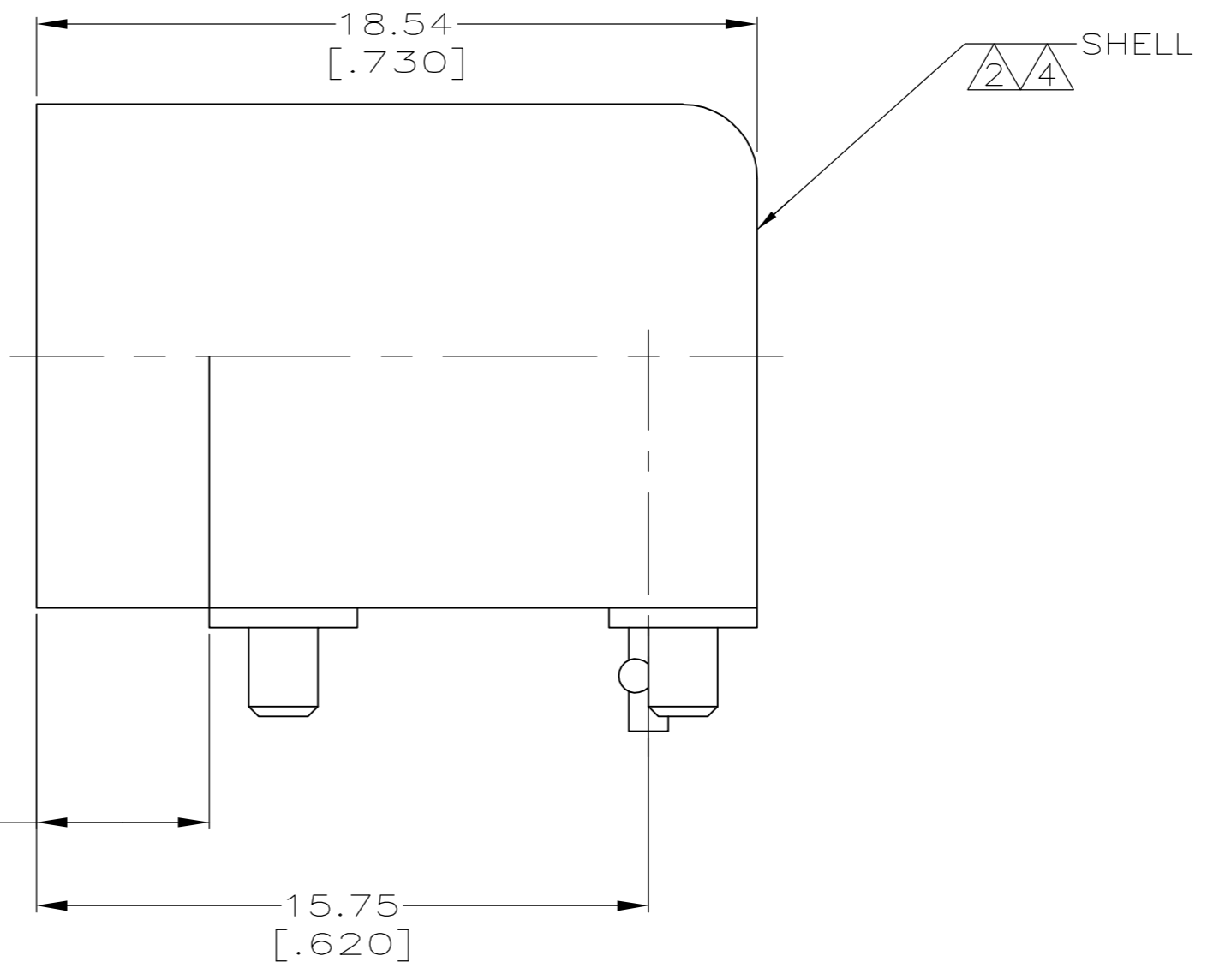
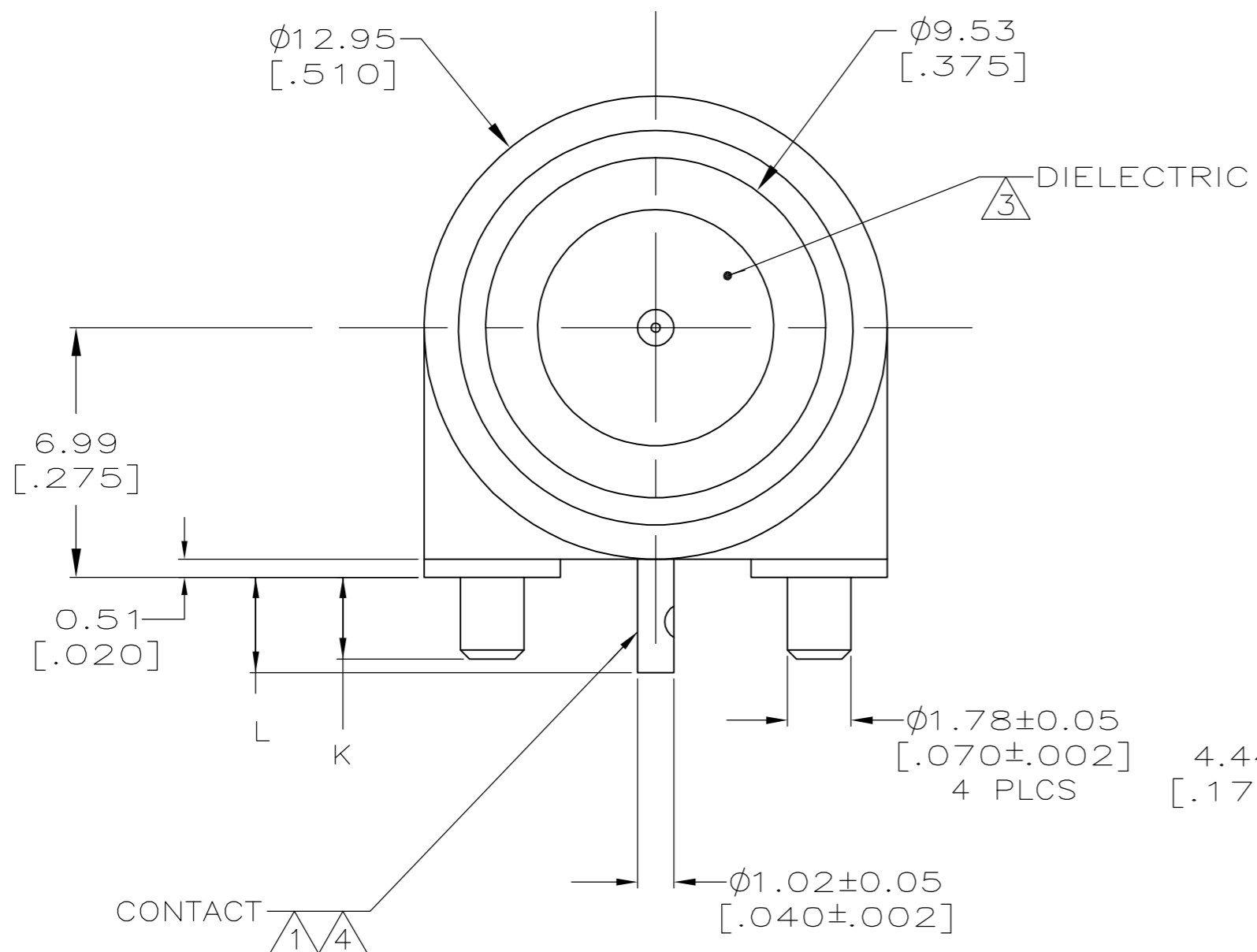


THIS DRAWING IS UNPUBLISHED. RELEASED FOR PUBLICATION  
 © COPYRIGHT BY TYCO ELECTRONICS CORPORATION. ALL RIGHTS RESERVED.

LOC	DIST	REVISIONS					
AJ	16	P	LTR	DESCRIPTION	DATE	DWN	APVD
		0		REV PER EC-0S14-0496-04	02FEB2005	GA	KW



PCB CONFIGURATION

- 1 BRASS PER ASTM-B-16
- 2 ZINC PER QQ-Z-363.
- 3 POLYPROPYLENE, GENERAL PURPOSE
- 4 TIN PLATE PER ASTM-B-545  
3.81 μm [.000150] MINIMUM THICK.
- 5. TEST JACK INSERTION DEPTH TO BE .450 IN

3.30 [.130]	3.30 [.130]	5415406-2
K	L	PART NUMBER

THIS DRAWING IS A CONTROLLED DOCUMENT.		DWN G. ATTADIA - DOCK5 02FEB2005	<b>tyco</b> Tyco Electronics Corporation	
DIMENSIONS: mm [INCHES]		CHK J. HAVENER 02FEB2005	Harrisburg, Pa 17105-3608	
TOLERANCES UNLESS OTHERWISE SPECIFIED:		APVD K. WEIDNER 02FEB2005	NAME TEST PLUG, PCB, RIGHT ANGLE, G SERIES	
0 PLC ± -	1 PLC ± -	PRODUCT SPEC -	SIZE A2	CAGE CODE 00779
2 PLC ± -	3 PLC ± 0.20 [.008]	APPLICATION SPEC -	DRAWING NO C=5415406	RESTRICTED TO -
4 PLC ± -	ANGLES ± -	WEIGHT -	SCALE 6:1	SHEET 1 OF 1
MATERIAL SEE NOTES 1-5	FINISH SEE NOTE 6	CUSTOMER DRAWING	REV 0	

5415406